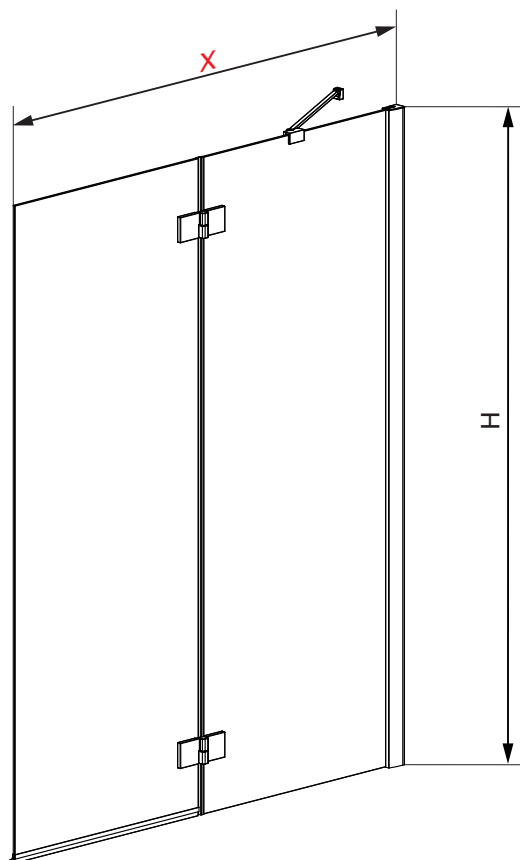
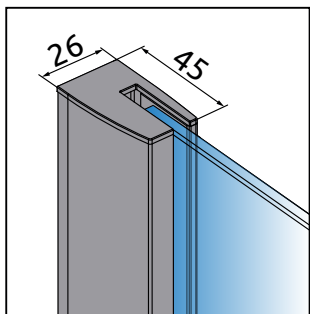


Wariant LEWY  
Variant L

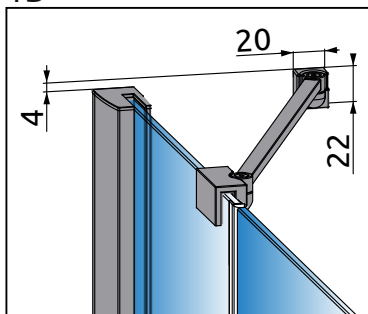


Wariant PRAWY  
Variant R

1A



1B



Model	X	B	C	H
PND II 100	1000-1015	488	535-550	1500
PND II 110	1100-1115	538	585-600	1500
PND II 120	1200-1215	588	635-650	1500
PND II 130	1300-1315	638	685-700	1500
PND II 140	1400-1415	688	735-750	1500

